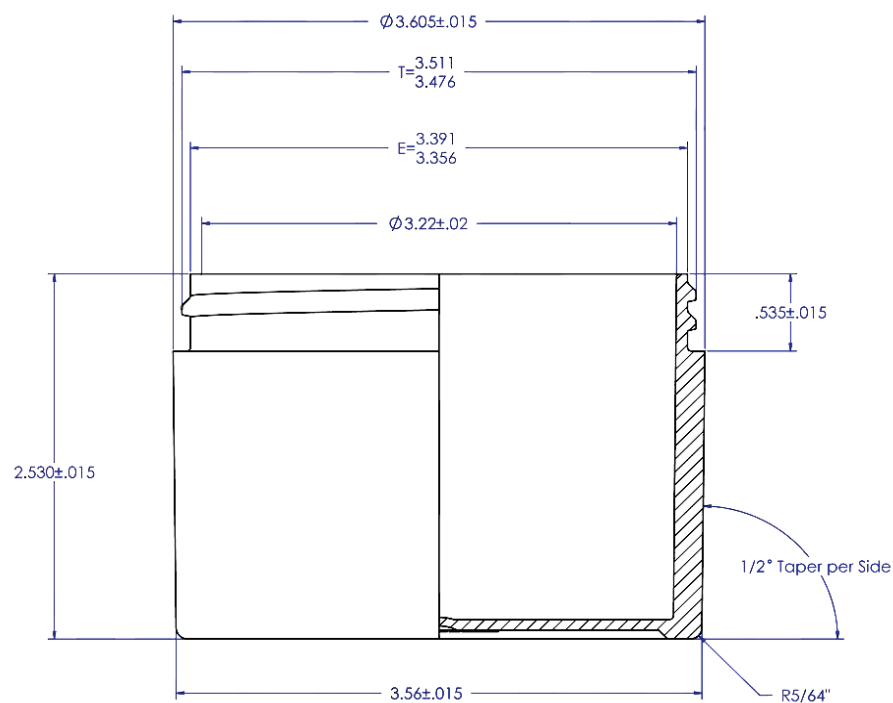


PACK CODE JAR2192-8oz
 PACK TYPE JARS
 CATEGORY Skincare



PRODUCT DATA SHEET

DESCRIPTION

Single thick wall jar all PP 8oz (also available in 1, 4, 6, 8, 12 & 16oz) Dome or flat cap.

BENEFITS

Maximum compatibility with your formula
 Optimum robustness thanks to the thick wall
 Price efficient
 Easy top
 Wide range
 Evacuation
 rate 100%



APPLICATIONS

Creams, lotions, moisturizer, gel

GENERAL INFORMATION

PRODUCTION & PACKING

DIMENSIONS

Total Height	1.925±.015
Diameter	ø2.34±.015

PRODUCTION

Lead time	4 - 6 weeks
MOQ	10k
Plant location	USA

MATERIALS

Jar	PP
Cap	PP

PACKING SPECS

	Carton Size	N.W	Qty/Ctn
Jar	24" x 16" x 20.2"	43 lbs	252
Smooth cap	20" x 14" x 14.5"	14.3 lbs	370
Dome cap	20" x 14" x 14.5"	14.3 lbs	350

CAPACITY

Declared	8oz
OFC	315ml ± 3%

DECO OPTIONS

Jar

Injection color, silk screen, hot stamping

Cap

Injection color, silk screen, hot stamping